

# SunGiga All in One

## COMMERCIAL & INDUSTRIAL BATTERY SYSTEM

Our SunGiga product line is available in a range of voltage and capacity options, with each configuration being fully integrated with the latest cutting-edge Lithium Iron Phosphate (LFP) batteries and advanced Battery Management capabilities.

Coupled with a variety of PCS power options, dedicated Thermal Management and Fire Suppression systems, SunGiga is perfectly suited for cost-effective and rapid deployment to serve a wide variety of grid applications.



## Key Features



### Efficient & Flexible

A “system-wide” approach enhances flexibility, extends lifetime, reduces maintenance, and lowers LCOS.

Dynamic battery management and custom liquid cooling for improved efficiency and longer battery life.



### Reliable & Safe

Cutting-edge, high capacity, safe LFP prismatic batteries.

Smart monitoring with Command & Control logic ensure battery safety.

Integrated Thermal Management System (TMS) for improved performance and reliability.



### Highly Integrated

215kWh, 100kW Battery System.

Battery Management Systems (BMS).

Power Conversion System (PCS).

Energy Management System (EMS).

Thermal Management System (TMS). Liquid cooling design maintains consistent battery cell temperatures.



### Smart Software

Real time monitoring & secure cloud management.

Adaptive algorithms for precise battery system control.

## Applications



### Peak Demand Management

Optimising how to cope with peaks in demand through Peak Shaving and Peak Shifting.



### Energy Backup

Provides a reservoir of energy if the grid is down. Can be deployed in areas without electricity.



### Renewables Integration

Smooths out inherent intermittency on renewable energy sites.



### Infrastructure Enhancement

Distributed networks reduce the investment required in full grid construction / repair.



### EV Charge Support

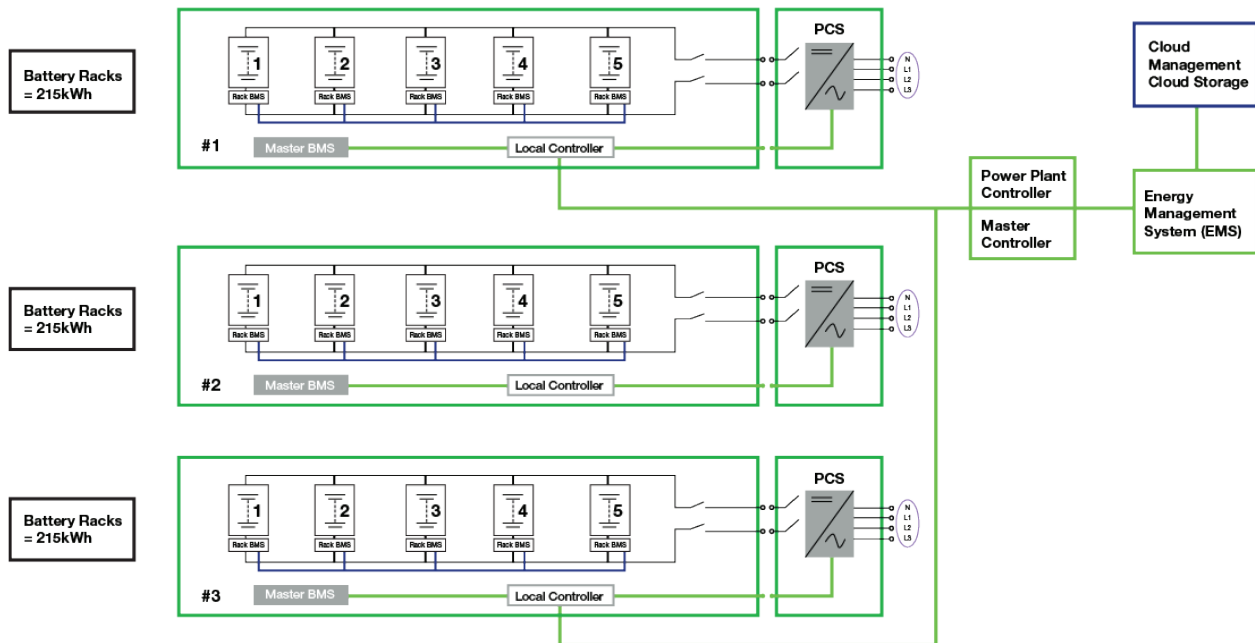
Enables seamless EV charging to be implemented on a local grid.



### Arbitrage

Provides facility for energy trading.

Example below shows 3x SunGiga 215 cabinets giving 645 kWh.



### Solution Data

Battery Model	LFP, 3.2V, 280Ah
Charge / Discharge Rate	≤ 0.5P
Battery Nominal Energy (kWh)	215kWh
Battery Voltage	768V (Nominal), 864V (Charge)
Nominal AC Output Power	100kW AC
Nominal Output Voltage	400 VAC
Power Electronics Cooling	Forced Air Cooling
Battery Cooling Type	Liquid - Water Glycol
Environment Temperature Range	-30 to +50°C
Storage Temperature	-20 to +45°C
Environmental Humidity	≤ 95% non-condensing
Operating Altitude	≤ 3000m
Degree of Protection	IP54
Anti-Corrosion Grade	C3 standard, C5 optional
Weight	< 2300kg
Seismic Grade	Level 7
Fire Suppression System	FM200 / Novec 1230 / Aerosol
Cabinet Dimensions (W x D x H)	1300 x 1300 x 2300mm
Battery Level Certifications	IEC62619, UL9540A, UL1973, IEC61000
Comms Protocol	RS485 / Canbus / Ethernet / Modbus

© 2024 Jinko Solar Co., Ltd. All rights reserved.

Note: Please read the safety and installation manual before using the product. We reserve the right of final interpretation. The specifications in datasheets are subject to change without notice.

**SunGiga 215**  
**JKS-215KLAA-100PLAA**  
[www.jinkosolar.eu](http://www.jinkosolar.eu)